

product technical sheet

4295

Ever Life Design
Every 44

- article code
- product family
- product line
- description
- performances
- certifications
- product features
- fixing
- care
- product composition
- accessories not included in the package
- Materials and treatments
- tolerance
- Packaging

Vitreous china hanging bidet.

UE 305/2011 regulation and EN 997 standard compliant

TUV system certification UNI EN ISO 9001:2008.

Hanging bidet. Faucet hole Ø 35 mm. Drainage system hole 1"1/4.

It is possible to use commercial hardware.

Periodically check the correct fastening of toilet.
Clean with soap and water or other suitable products; avoid aggressive or abrasive products. Dry with a soft cloth.

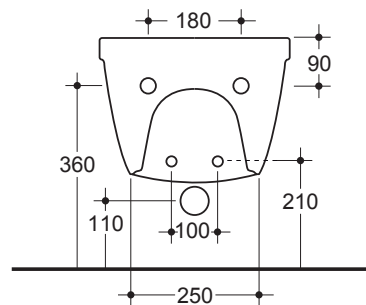
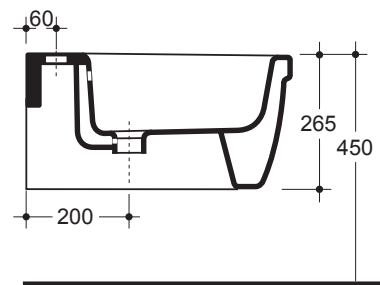
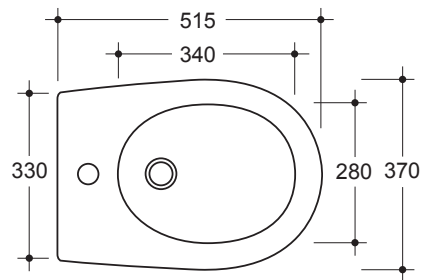
Bidet

Faucet, drainage system, connections and fixing elements.
Floor fixing elements

Vitreous china

General tolerance +/- 5 %

Weight: 18 kg



ST_PRODOTTO: 4295 - REV.00 - 13/06/2017 - APPROVED T.D.

The above mentioned information cannot be considered as binding. Thermomat Saniline srl reserves the right to make technical and aesthetic changes without any prior notice.

Ever by Thermomat Saniline s.r.l. | Mantova | Italy

www.everlifedesign.it

